



James L. Griffin Co., Inc.

System Specifications

Video Format	CCIR601 NTSC or PAL-M
Frame Rate	60 Hz STD
Serial Interface	RS-232 or RS-422
Power Requirements	11-16 V DC / 24 watts typical @ 25°C
Environmentals	Unit is sealed and backfilled with dry nitrogen. Fully qualified to MIL-STD-810e, Front Element Defroster
Camera Controls	Controls are available on a hand held pendant, rack mounted controller, or through a PC via an RS232/RS422 link.
NEDT	< 38mK
Mounting	¼ -20 Tripod interface

Sensor Specifications

Detector	320 x 256 InSb FPA, 30µ pitch, usable format 320 x 240
Spectral Band	3-5µm
Detector MTBF	7,500 hours

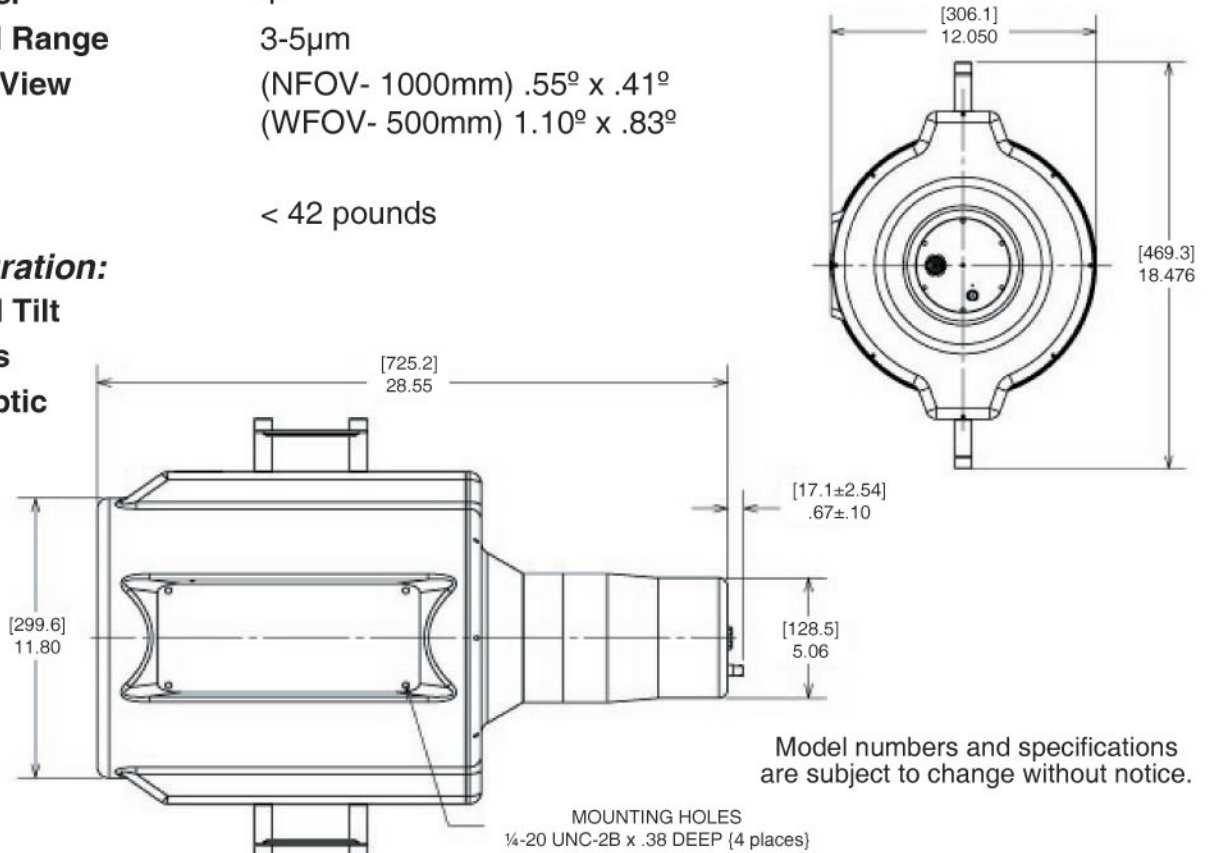
Optical Characteristics

Type	Motorized Remote Focus Optical System
F-number	4
Spectral Range	3-5µm
Field of View	(NFOV- 1000mm) .55° x .41° (WFOV- 500mm) 1.10° x .83°

Weight < 42 pounds

System Integration:

- Pan and Tilt**
- Wireless**
- Fibre Optic**



Model numbers and specifications are subject to change without notice.

www.jlgriffin.com

11516 N. Port Washington Road, Suite 102 ~ Mequon, WI 53092 ~ TEL 262-241-4451 ~ FAX 262-241-4453