



James L. Griffin Co., Inc.

System Specifications

Video Format	CCIR601 NTSC or PAL-M
Frame Rate	60 Hz NTSC, 50Hz PAL
Serial Interface	RS-232 or RS-422
Power Requirements	11-16 V DC / 18 watts typical @ 25°C
Environmentals	Unit is sealed and backfilled with dry nitrogen. Front Element Defroster, rated IP67 Operating Temp. Range: -20°C to +50°C Non-Operating Temp. Range: -40°C to +70°C
Camera Controls	Controls are available on a hand held pendant, rack mounted controller, or through a PC via an RS232/RS422 link.
NEDT	< 40mK
Mounting	¼ -20 Tripod interface

Sensor Specifications

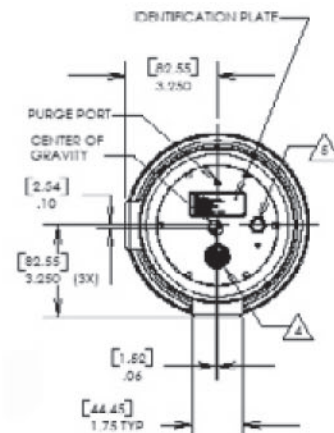
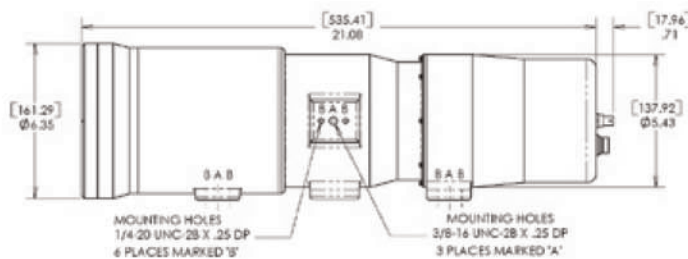
Detector	320 x 256 InSb FPA, 30µ pitch, usable format 320 x 240
Spectral Band	3-5µm
Detector MTBF	7,500 hours

Optical Characteristics

Type	Continuous Zoom, 100-500mm, with up to 10 user defined presets
F-number	4
Spectral Range	3-5µm
Field of View	(NFOV- WFOV) 1.10° x .83°- 5.5° x 4.1°
Weight	~ 17 pounds (7.7kg)

System Integration:

Pan and Tilt, Wireless, Fibre Optic



Model numbers and specifications are subject to change without notice.

www.jlgriffin.com

11516 N. Port Washington Road, Suite 102 ~ Mequon, WI 53092 ~ TEL 262-241-4451 ~ FAX 262-241-4453