



James L. Griffin Co., Inc.

System Specifications

Video Format	CCIR601 NTSC or PAL-M
Frame Rate	60 Hz STD
Serial Interface	RS-232 or RS-422
Power Requirements	4-12 V DC <5 watts typical @ steady state, 25°C
Environmentals	Unit is sealed and backfilled with dry nitrogen. Fully qualified to MIL-STD-810e, Front Element Defroster
Camera Controls	Controls are available on a hand held pendant, rack mounted controller, or through a PC via an RS232/RS422 link.
NEDT	< 120mK
Mounting	¼ -20 Tripod interface

Sensor Specifications

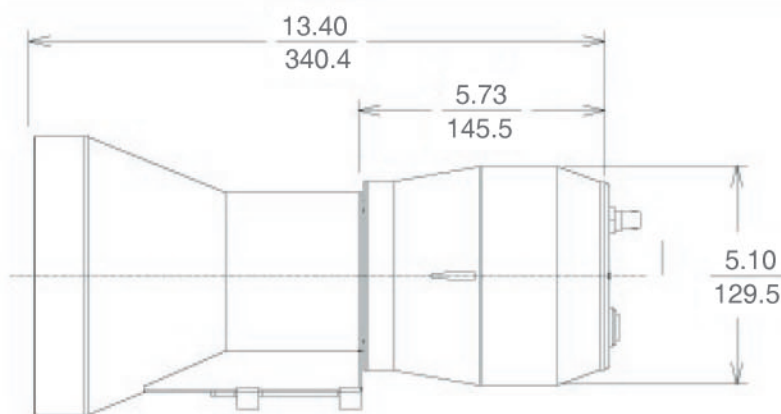
Detector	320 x 240 VOx Uncooled Microbolometer FPA, 51µ pitch
Spectral Band	7-14µm
Detector MTBF	>10,000 hours

Optical Characteristics

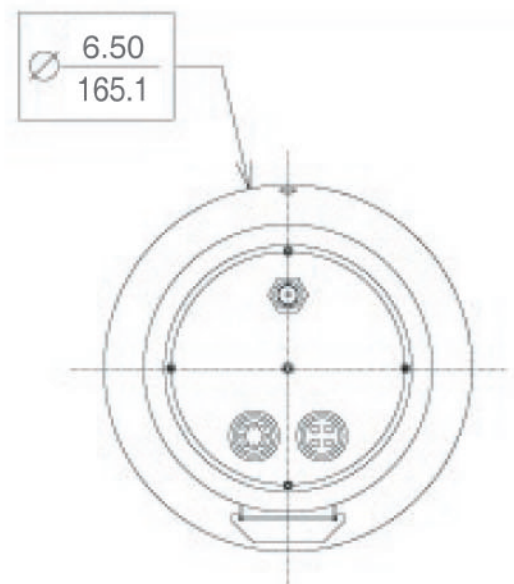
Type	Motorized Remote Focus Optical System
F-number	1
Spectral Range	7-14µm
Field of View	6.4 x 4.6 degrees
Weight	< 14 pounds

System Integration:

Pan and Tilt, Wireless, Fibre Optic



3.10
78.7



Model numbers and specifications are subject to change without notice.

www.jlgriffin.com

11516 N. Port Washington Road, Suite 102 ~ Mequon, WI 53092 ~ TEL 262-241-4451 ~ FAX 262-241-4453